

- B (i) T (ii) F
- C (i) F (ii) T
- D (i) F (ii) F

3. Decide whether each of these statements is TRUE (T) or FALSE (F).

After pressing the push-button it is released, then:

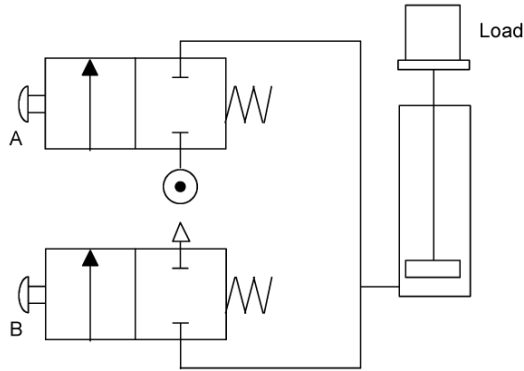
- (i) Pressure is applied to port 2.
- (ii) Port 4 is vented.

William Bolton, *Mechatronics*, 6th Edition, Instructor's Manual

Which option BEST describes the two statements?

- A (i) T (ii) T
- B (i) T (ii) F
- C (i) F (ii) T
- D (i) F (ii) F

Questions 4 and 5 refer to the following figure, which shows a cylinder controlled by two pneumatic valves.



4. Decide whether each of these statements is TRUE (T) or FALSE (F).

- (i) When push-button A is pressed, the load is lifted.
- (ii) When push-button A is released, the load descends.

Which option BEST describes the two statements?

- A (i) T (ii) T
- B (i) T (ii) F
- C (i) F (ii) T
- D (i) F (ii) F

5. Decide whether each of these statements is TRUE (T) or FALSE (F).

- (i) When push-button B is pressed, the load is lifted.
- (ii) When push-button B is released, the load remains either lifted or descended.

Which option BEST describes the two statements?

- A (i) T (ii) T
- B (i) T (ii) F
- C (i) F (ii) T
- D (i) F (ii) F

William Bolton, *Mechatronics*, 6th Edition, Instructor's Manual

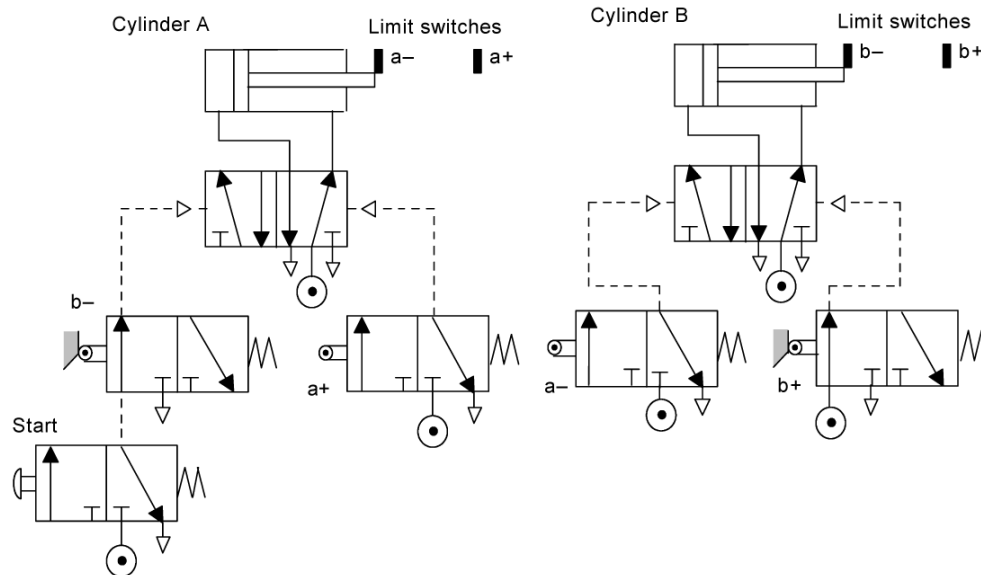
6. Decide whether each of these statements is TRUE (T) or FALSE (F).

A process control valve with a quick-opening plug gives:

- (i) A change in flow rate that is proportional to the change in displacement of the valve stem.
- (ii) A large change in the flow rate for a small initial movement of the valve stem.

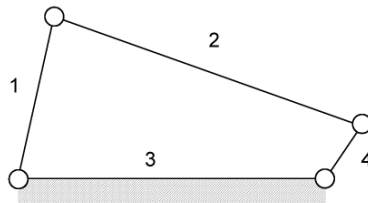
Which option BEST describes the two statements?

- A (i) T (ii) T
 - B (i) T (ii) F
 - C (i) F (ii) T
 - D (i) F (ii) F
7. For the pneumatic circuit given below, following the pressing of the start push-button the sequence is:



- A A+, B+, B-, A-
 - B A+, A-, B+, B-
 - C A+, B+, A-, B-
 - D A+, A-, B-, B+
8. Decide whether each of these statements is TRUE (T) or FALSE (F).

Four links are connected as indicated in the following figure:



William Bolton, *Mechatronics*, 6th Edition, Instructor's Manual

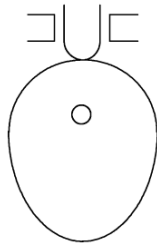
With the relative link lengths shown:

- (i) When link 4 rotates in a circular path, link 1 rotates in a circular path.
- (ii) If link 4 is made the same length as link 1 then when link 4 rotates, link 1 can only oscillate back-and-forth and not completely rotate.

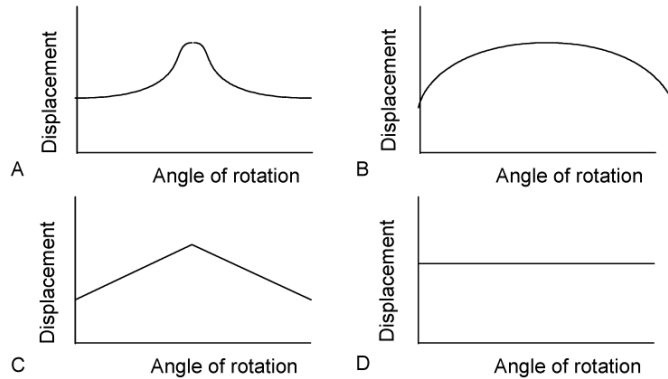
Which option BEST describes the two statements?

- A (i) T (ii) T
- B (i) T (ii) F
- C (i) F (ii) T
- D (i) F (ii) F

9. The cam shown in the following figure rotates with a constant angular velocity.



The displacement of the follower is best described by:



10. A ball bearing is required to withstand radial loads and axial loads. The optimum bearing from the following is:
- A Deep groove.
 - B Filling-slot.
 - C Angular contact.
 - D Self-aligning.

William Bolton, *Mechatronics*, 6th Edition, Instructor's Manual

11. Decide whether each of these statements is TRUE (T) or FALSE (F).

For a thyristor:

- (i) When it is switched on and forward breakdown occurs, the thyristor resistance drops to a low value.
- (ii) The voltage at which a thyristor is switched on is determined by the current entering the gate.

Which option BEST describes the two statements?

- A (i) T (ii) T
- B (i) T (ii) F
- C (i) F (ii) T
- D (i) F (ii) F

12. Decide whether each of these statements is TRUE (T) or FALSE (F).

For a series wound DC motor:

- (i) The direction of rotation of its shaft can be reversed by reversing the direction of the current supplied to the motor.
- (ii) The speed of rotation of the motor shaft can be controlled by varying the size of the current supplied to the motor.

Which option BEST describes the two statements?

- A (i) T (ii) T
- B (i) T (ii) F
- C (i) F (ii) T
- D (i) F (ii) F

13. Decide whether each of these statements is TRUE (T) or FALSE (F).

For a shunt wound DC motor:

- (i) The direction of rotation of its shaft can be reversed by reversing the direction of the armature current.
- (ii) The speed of rotation of the motor shaft can be controlled by varying the size of the armature current.

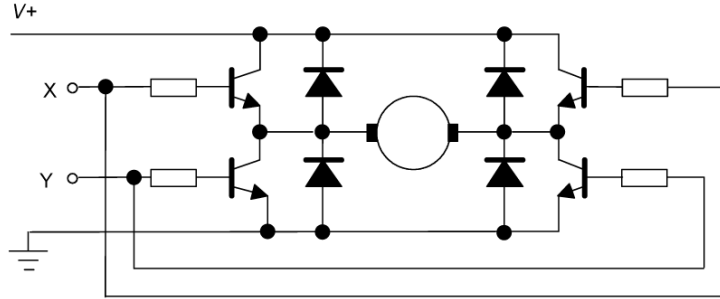
Which option BEST describes the two statements?

- A (i) T (ii) T
- B (i) T (ii) F
- C (i) F (ii) T
- D (i) F (ii) F

William Bolton, *Mechatronics*, 6th Edition, Instructor's Manual

14. Decide whether each of these statements is TRUE (T) or FALSE (F).

The H-circuit shown below is used to control the current supplied to a DC motor.



(i) For the motor to rotate, we must have both X and Y high.

(ii) To reverse the motor, we must have both X and Y low.

Which option BEST describes the two statements?

A (i) T (ii) T

B (i) T (ii) F

C (i) F (ii) T

D (i) F (ii) F

15. Decide whether each of these statements is TRUE (T) or FALSE (F).

A stepper motor is specified as having a step angle of 6° . This means that:

(i) Each pulse input to the motor rotates the motor shaft by 6° .

(ii) An input of 300 pulses per second will cause it to rotate at 5 rev/s.

Which option BEST describes the two statements?

A (i) T (ii) T

B (i) T (ii) F

C (i) F (ii) T

D (i) F (ii) F